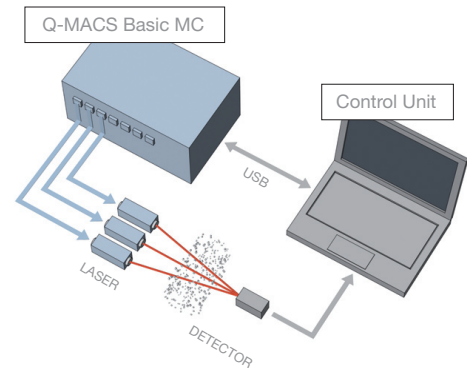


## Q-MACS Basic MC



### technical specification

The Q-MACS Basic MC is a new developed Multi-Channel system for parallel measurement of up to 8 gas species at different wave numbers. The Q-MACS Basic MC is able to drive up to 8 QCL in pulsed or cw mode.

head	description	multi channel infrared spectrometer controls up to 8 channels USB-interface uses compact laser heads laser heads are independently controllable in various operational modes (pulsed, cw)
each channel contains	a controller for	monitoring of all parameters control of all settings communication with other channels and the PC
	a programmable unit for	adjustment of various operational modes free configuration of the ramp providing the QCL-pulses providing a detector gate pulse
	an electricity supply for	QCL-laser head stable supply voltage electricity and voltage controllable QCL-feed-in
	a controller for	ramp TEC-temperature