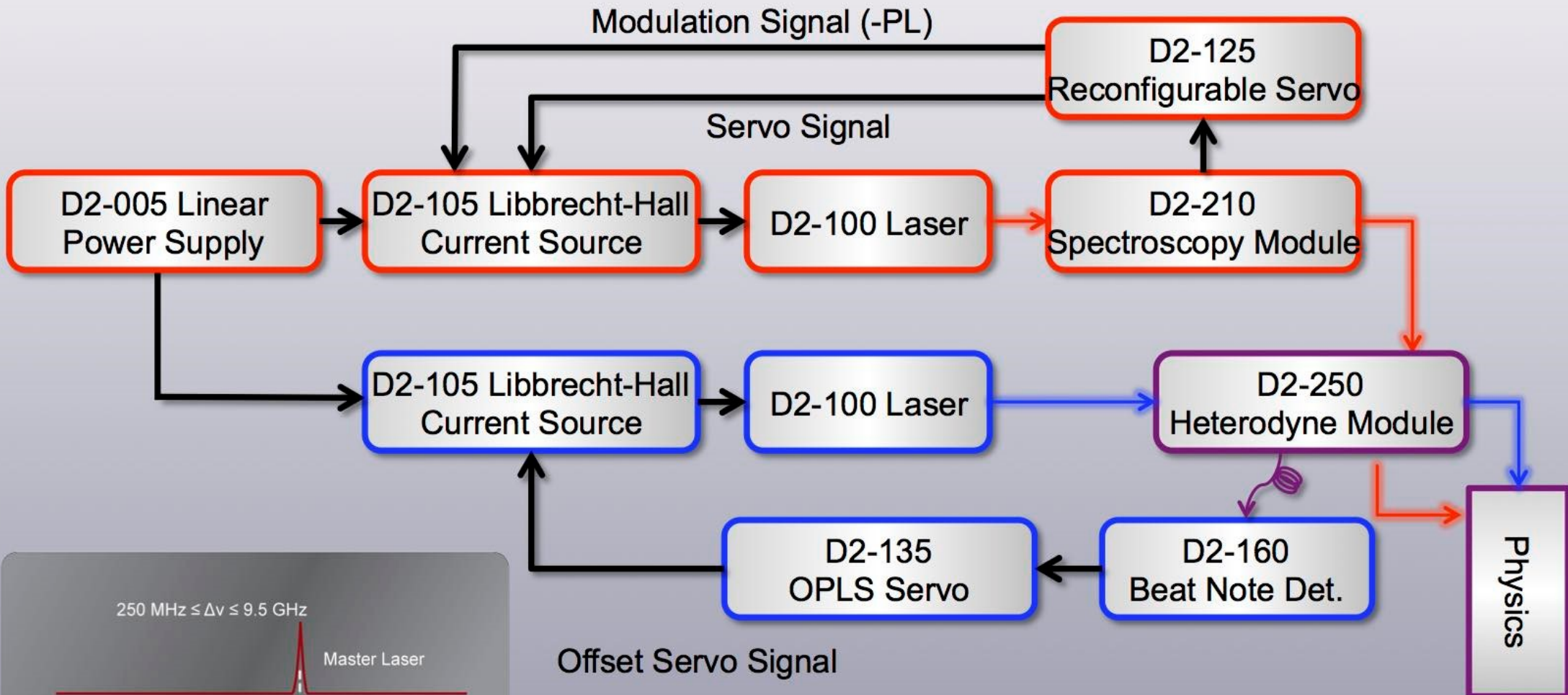


Offset Phase Lock



$250 \text{ MHz} \leq \Delta\nu \leq 9.5 \text{ GHz}$

